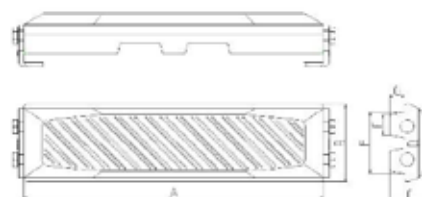
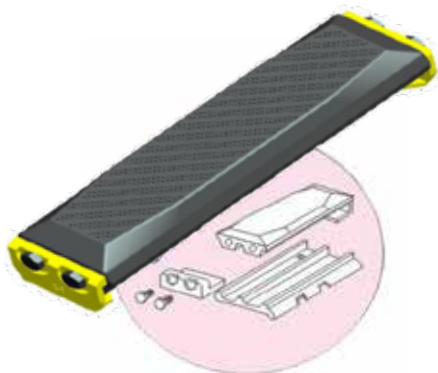


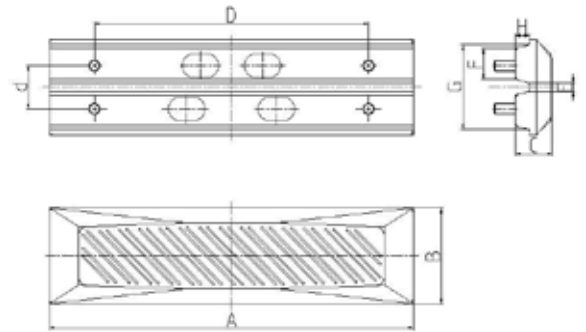
Specifiche dei cuscinetti in gomma

Tipo a clip



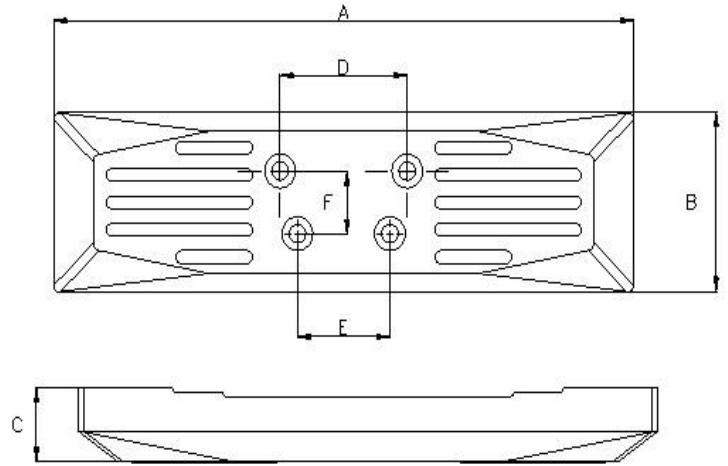
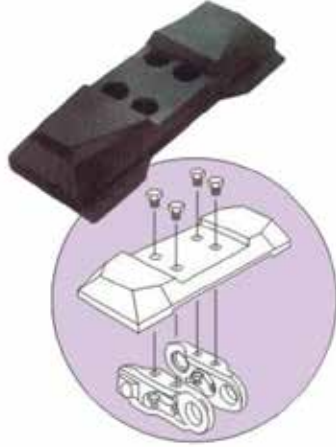
| Modello | UN | B | C | D | E | F | G | Peso (kg) |
|-------------|-----|-----|-------|------|------|-----|------|-----------|
| GTW C250F | 252 | 69 | 48 | | 44 | 49 | 17 | 1.295 |
| GTW C300F | 302 | 68 | 47.5 | | 40 | 46 | 17.5 | 1.45 |
| GTW C320F | 322 | 71 | 50 | | 47 | 51 | 18 | 1.575 |
| GTW C350F | 352 | 68 | 50 | | 38 | 46 | 17.5 | 1.65 |
| GTW C380F | 376 | 106 | 60 | 16 | 27 | 85 | 18 | 3.425 |
| GTW C400HD | 392 | 98 | 53 | 14 | 30 | 86 | 18 | 3.1 |
| GTW C450E | 434 | 133 | 65 | 14 | 36 | 104 | 18.5 | 5.19 |
| GTW C450HD | 454 | 102 | 71 | 14 | 28 | 86 | 18 | 3.5 |
| GTW C500A | 480 | 132 | 67 | 13 | 43 | 111 | 20 | 6.68 |
| GTW C500B | 493 | 128 | 67 | 17 | 34 | 102 | 26 | 6.25 |
| GTW C500G | 480 | 133 | 70 | 15 | 33.5 | 102 | 22 | 6.8 |
| GTW C600B | 593 | 128 | 72 | 18 | 34.5 | 100 | 26 | 7.5 |
| GTW C600G | 580 | 132 | 70 | 16 | 34 | 102 | 21 | 7.8 |
| GTW C600H | 589 | 146 | 80 | 18 | 40 | 114 | 26 | 9.13 |
| GTW C600W | 596 | 114 | 63 | 12 | 27.5 | 81 | 20 | 5.6 |
| GTW C600HD | 600 | 132 | 58 | 12 | 37.5 | 100 | 19 | 7.31 |
| GTW C700A | 693 | 142 | 75 | 16.5 | 45 | 121 | 26 | 9.195 |
| GTW C700B | 693 | 138 | 75 | 20 | 32 | 102 | 26 | 8.75 |
| GTW C700D | 700 | 140 | 69 | 15 | 32.5 | 100 | 25 | 9.25 |
| GTW C700E | 700 | 160 | 71 | 16 | 38 | 108 | 27 | 10.12 |
| GTW C700KPC | 688 | 160 | 83 | 17 | 37.5 | 112 | 27 | 10.75 |
| GTW C700W | 688 | 160 | 95 | 16 | 35 | 112 | 32 | 11.7 |
| GTW C800 | 793 | 168 | 104.5 | 21 | 42 | 135 | 37 | 17.85 |
| GTW C800KPC | 789 | 156 | 88.5 | 27 | 35 | 110 | 27 | 12.65 |

Tipo imbullonato

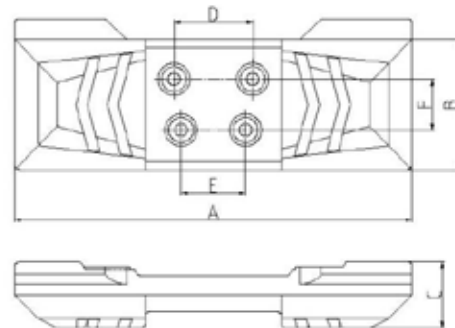
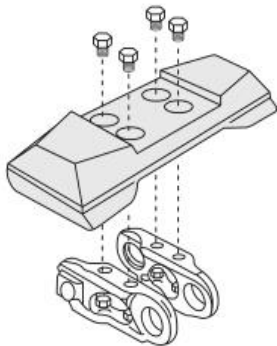


| Modello | UN | B | C | D*d | E | F | G | H | Peso (kg) |
|----------------|-----|-----|------|--------|------|------|-------|-----------|-----------|
| GTW B300 | 300 | 67 | 36.5 | 200 | | 42 | 54 | 15 | 1.05 |
| GTW T300 | 295 | 125 | 57 | 220*57 | 19 | 34 | 97 | 22 | 2.41 |
| GTW B350 | 350 | 68 | 37.5 | 200 | | 46 | 53 | 15 | 1.25 |
| GTW B350Y(A/B) | 350 | 107 | 40 | 290*46 | 9.8 | 35.5 | 90 | 10.5 | 1.9 |
| GTW B400B | 395 | 102 | 38 | 300*46 | 9 | 32.5 | 90 | 16 | 2.03 |
| GTW B400D(L/R) | 398 | 103 | 37 | 300*46 | 10 | 29 | 89 | 14 | 2.05 |
| GTW B400G | 400 | 102 | 45 | 300*45 | 8 | 28 | 84 | 18 | 2.3 |
| GTW B400-1 | 390 | 108 | 37 | 300*46 | 9 | 33 | 90 | 14.3/10.6 | 2.1 |
| GTW B450A | 450 | 105 | 38.5 | 350*45 | 12 | 29 | 91 | 14.5 | 2.49 |
| GTW B450B | 450 | 123 | 44.5 | 350*57 | 9 | 37 | 101 | 18.5 | 3.2 |
| GTW B450D | 445 | 122 | 45 | 350*58 | 10 | 35.5 | 110 | 21 | 3.2 |
| GTW B450G | 445 | 101 | 45 | 350*46 | 7 | 30 | 81 | 18 | 2.6 |
| GTW B450Y | 450 | 115 | 43 | 350*58 | 16 | 31 | 91 | 18.5 | 2.89 |
| GTW B450-1 | 440 | 125 | 48 | 350*58 | 10.5 | 41 | 108 | 21.5 | 3.4 |
| GTW B475(L/R) | 475 | 133 | 41 | 350*60 | 13 | 42 | 114.5 | 21 | 3.63 |
| GTW B475Y-N | 475 | 133 | 46 | 350*60 | 12 | 37 | 103 | 26 | 3.76 |
| GTW B500 | 496 | 122 | 56 | 400*56 | 14 | 34 | 106 | 27 | 4.4 |
| GTW B500A | 495 | 137 | 48 | 400*60 | 17 | 44 | 115 | 18 | 4.38 |
| GTW B500B | 495 | 121 | 56 | 400*56 | 12 | 33 | 104 | 27 | 4.4 |
| GTW B500D | 495 | 125 | 53 | 400*60 | 14 | 36 | 114 | 19 | 4.28 |
| GTW B500-1 | 490 | 133 | 55 | 400*60 | 14 | 47 | 115 | 20 | 4.7 |
| GTW B530 | 530 | 140 | 71 | 400*60 | 16 | 42 | 114 | 19.2 | 6.95 |
| GTW B600 | 595 | 134 | 71 | 400*70 | 15.4 | 45 | 124 | 25.5 | 7.5 |
| GTW B600B | 593 | 134 | 55.5 | 400*58 | 17 | 40 | 120 | 26.8 | 5.65 |
| GTW B600G | 590 | 134 | 56.7 | 400*60 | 14 | 33 | 104 | 20 | 5.5 |

Tipo a catena



| Modello | A | B | C | Foro del bullone | D | E | F | Peso (kg) |
|--------------|-----|-------|------|------------------|-----|------|------|-----------|
| GTW J300B | 300 | 93 | 41 | M12 | 144 | 116 | 22 | 2.1 |
| GTW J400 | 400 | 125 | 51 | 14 | 94 | 64 | 46 | 5.7 |
| GTW J400A | 400 | 125 | 52 | 14 | 100 | 73 | 45 | 5.835 |
| GTW J400E | 400 | 126 | 51.5 | 14.5 | 104 | 80 | 46 | 5.655 |
| GTW J450 | 453 | 147 | 52 | 15 | 89 | 73 | 57 | 8.05 |
| GTW J450A | 450 | 126.5 | 51.5 | 13.8 | 99 | 72 | 44 | 7.83 |
| GTW J450B | 450 | 145 | 52 | 15 | 90 | 90 | 46 | 9.5 |
| GTW J450D | 450 | 148 | 50 | 15 | 90 | 90 | 55 | 7.535 |
| GTW J450E | 450 | 147 | 51 | 15 | 83 | 83 | 52 | 8.05 |
| GTW J450F-NS | 450 | 145 | 65.5 | 14.8 | 90 | 90 | 57 | 8.15 |
| GTW J450Y | 450 | 120 | 47 | 15.5 | 88 | 72.5 | 56 | 6.5 |
| GTW J475Y | 475 | 140 | 51 | 17.5 | 109 | 109 | 60 | 8.395 |
| GTW J500 | 500 | 160 | 59 | 18 | 108 | 108 | 60.5 | 12.25 |
| GTW J500B | 500 | 162 | 58.5 | 18.5 | 102 | 86 | 57 | 12.45 |
| GTW J500-NS | 500 | 162 | 74 | 18 | 108 | 108 | 60 | 13.8 |



| Modello | A | B | C | chiudere | D | E | F | Peso (kg) |
|-----------|-----|-----|----|----------|----|----|----|-----------|
| GTW J450C | 450 | 146 | 74 | 14.5 | 89 | 73 | 57 | 9.5 |